

OPERATING INSTRUCTIONS

Turn the catch 90° clockwise to open the door (Fig.1).

This can be done from floor level using a pole as supplied with the Manthorpe Loft Ladder (Code GL256) or using a similar pole with the attachment provided (affixed to the back of the door).

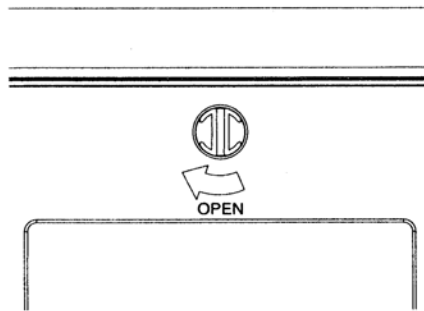


Fig.1

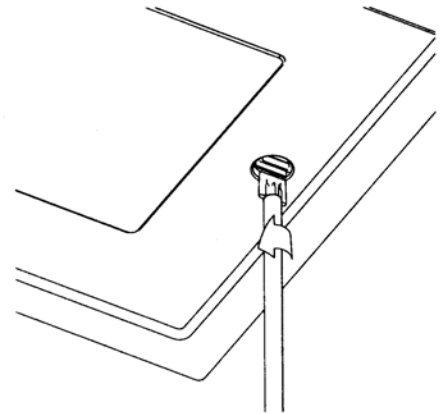


Fig.2

The door can be completely removed from its frame for ease of access if required.

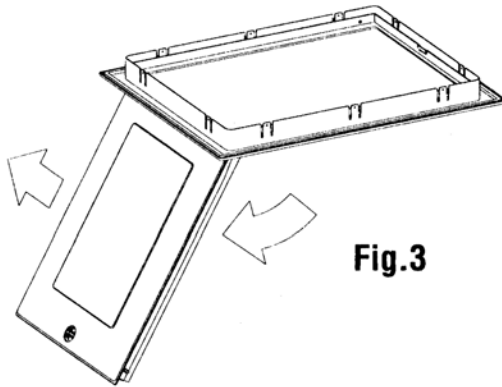


Fig.3

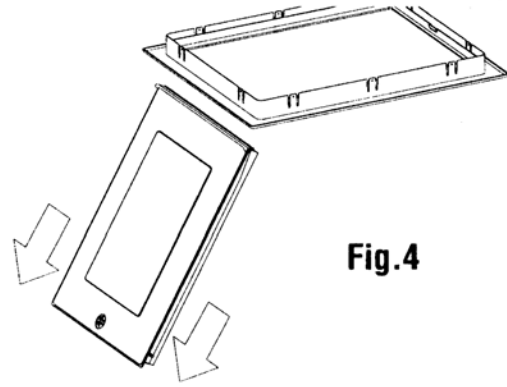


Fig.4

To remove the door, open beyond the vertical (as Fig.3) and then slide sideways slightly to disengage one hinge then the other.

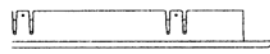


Fig.5

To replace the door, offer up to the frame at the angle as shown (Fig.5). Locate one of the hinge lugs into place in the frame. Still holding at the same angle locate the second lug.

Centralise the door in the frame and close.

Turn the catch 90° anti-clockwise to secure the door into position. The catch will click when properly closed.



THIS IS NOT A STRUCTURAL PRODUCT AND MUST NOT BE WALKED OR STEPPED ON

MANTHORPE BUILDING PRODUCTS LTD
MANTHORPE HOUSE
BRITAIN DRIVE
CODNOR GATE BUSINESS PARK
RIPLEY
DERBYSHIRE DE5 3ND

TEL: 01773 514 200
FAX: 01773 514 262
EMAIL:
sales@manthorpe.co.uk
WEB:
www.manthorpe.co.uk

DRN MC

Date 2.06.03

The company maintains a policy of continuous development of its product range and reserves the right to amend the specification without notice.

DRG No

MBP 8191

Issue

A